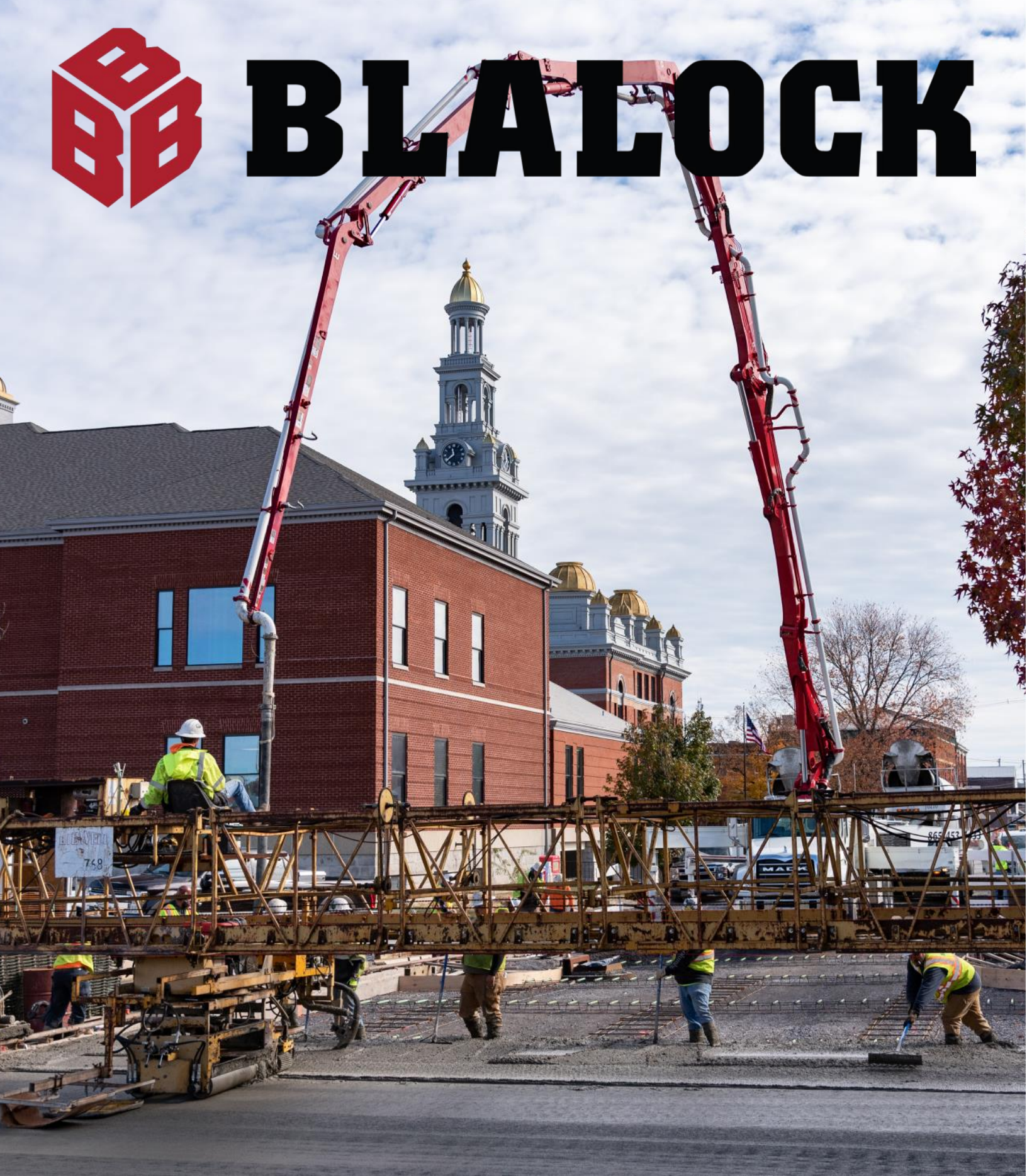




# BLALOCK



## Concrete Pump Specifications

Revised January 2024



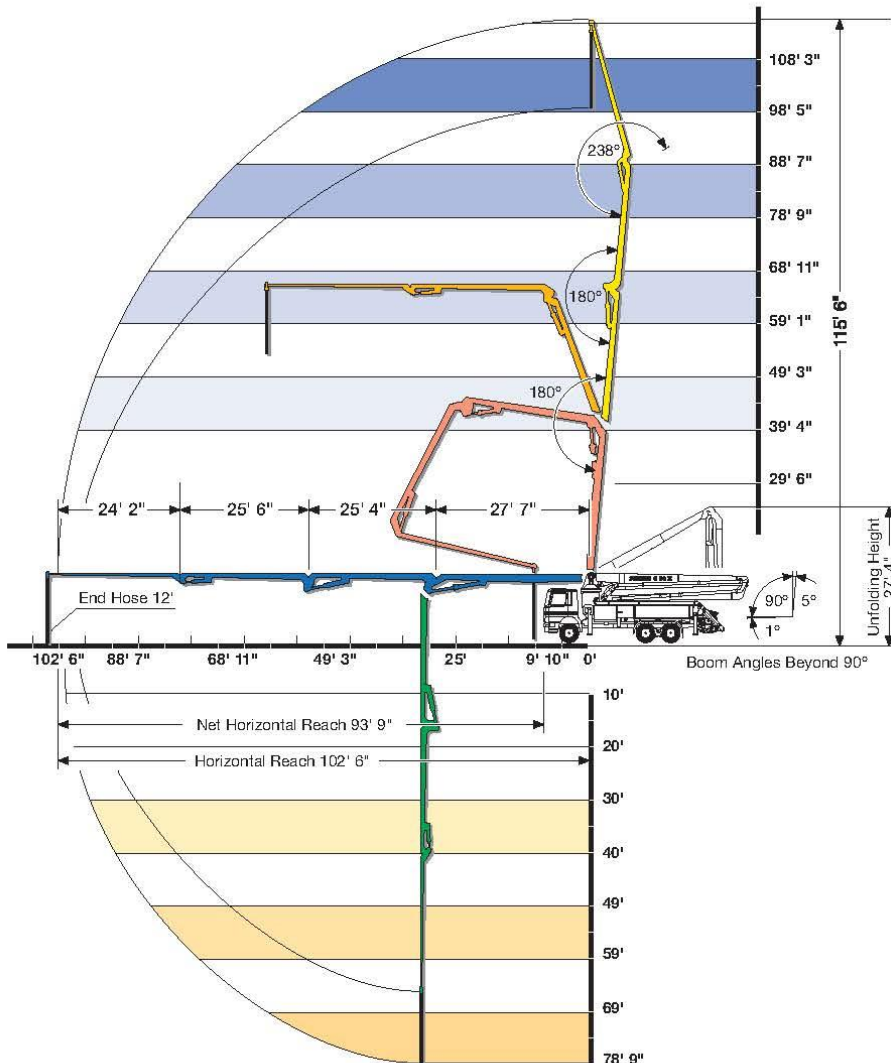
# 36 Meter 4-Section Roll and Fold

Our smallest, most compact boom pump, the 36 meter pump offers a smaller outrigger footprint compared to the 38 meter. This smaller size enables us to use this pump in small areas, such as residential lots, where ground space is limited.

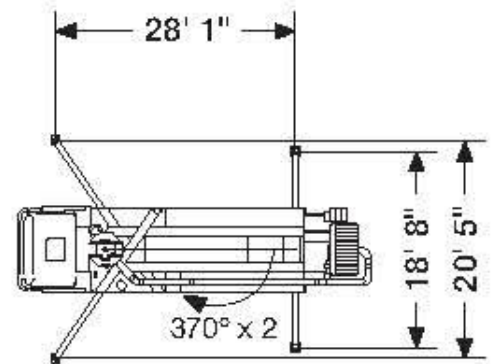


## SPECIFICATIONS

|                               | U.S.                                | Metric |
|-------------------------------|-------------------------------------|--------|
| Vertical Reach                | 115' 6"                             | 35.2 m |
| Horizontal Reach              | 102' 6"                             | 31.2 m |
| Below Grade Reach w/ Tip Hose | 78' 9"                              | 24 m   |
| Pipeline Diameter             | 5"                                  | 125 mm |
| Boom Type / Sections          | Full Articulation, Roll & Fold® / 4 |        |
| Boom Rotation                 | 740 degrees                         |        |
| Unfolding Height              | 27' 4"                              | 8.3 m  |



## Standard

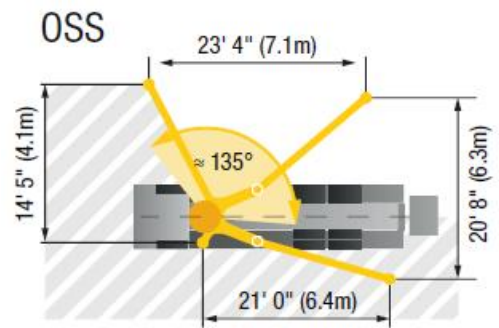
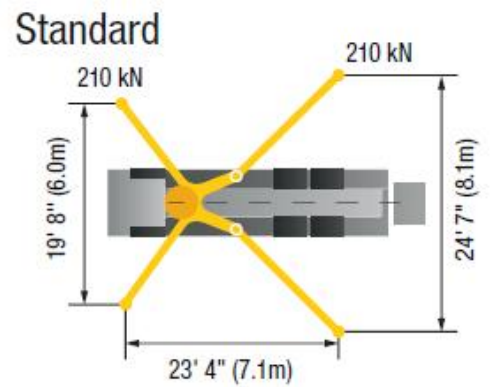
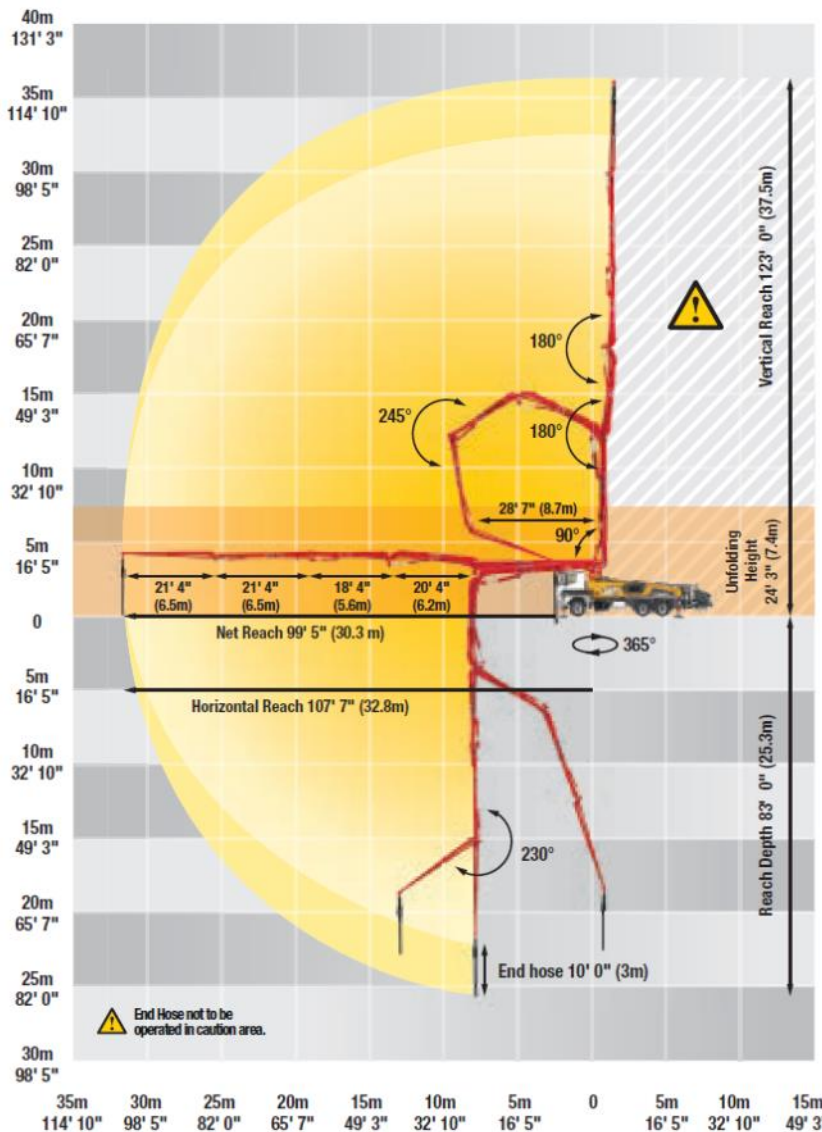


# 38 Meter 5-Section Z-Boom

With its compact size with 5-section Z-boom configuration, the 38 meter pump is perfect any job, especially tight reaches will low overhead space such as interior slabs that are already under roof. The low unfolding height allows the pump to be set up inside buildings if necessary.



| Boom Specifications   Z-Fold Design |                  |
|-------------------------------------|------------------|
| Height & Reach                      |                  |
| Vertical reach                      | 123' 0" (37.50m) |
| Horizontal reach                    | 107' 7" (32.80m) |
| Reach from front of truck*          | 99' 5" (30.30m)  |
| Reach depth                         | 83' 70" (25.30m) |
| Unfolding height                    | 24' 3" (7.40m)   |







**For Pump and Concrete Orders**  
**865-453-4433**



AMERICAN CONCRETE  
PUMPING ASSOCIATION

PROUD MEMBER SINCE 2016



[www.blalockcompanies.com](http://www.blalockcompanies.com)